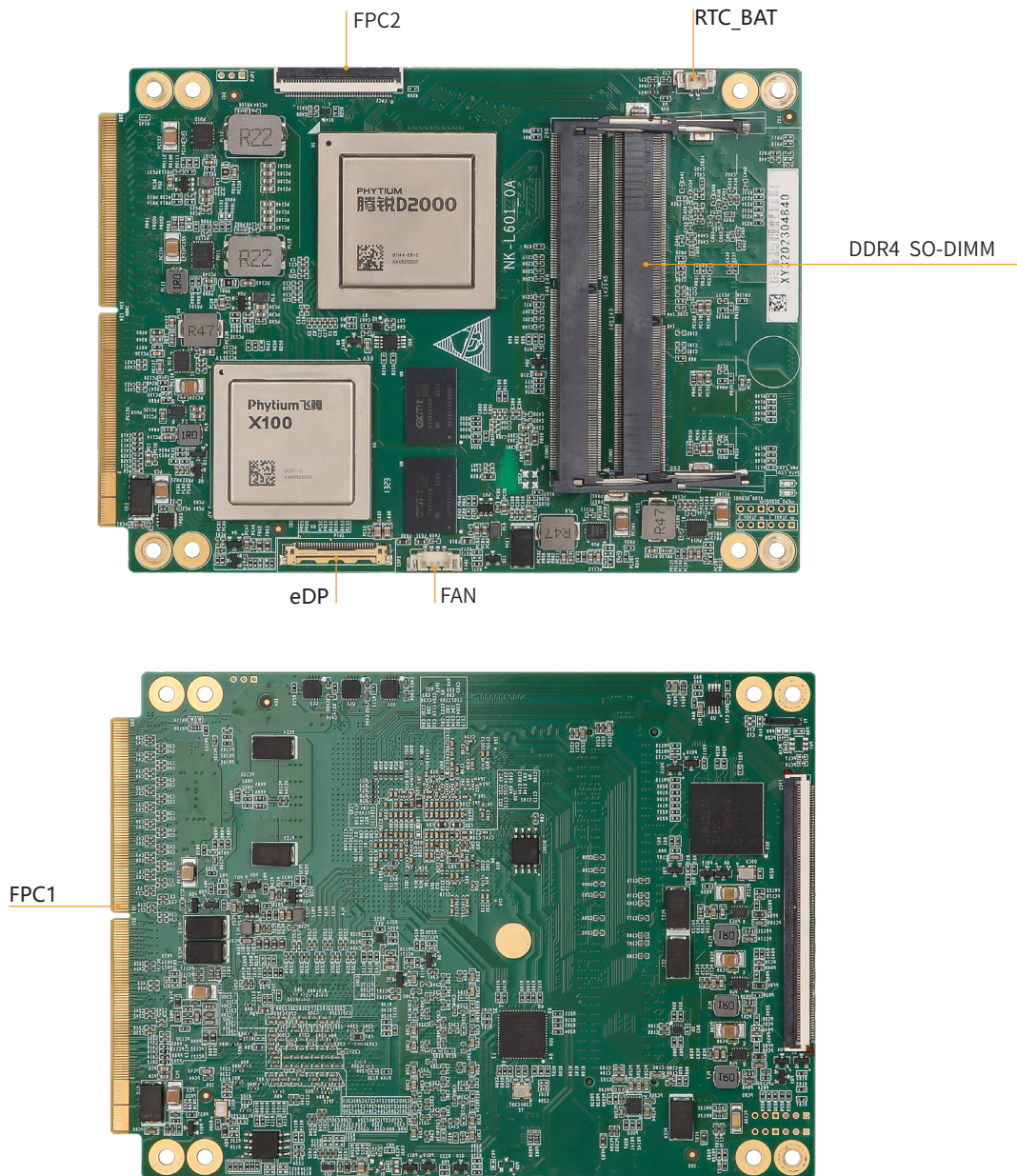


## NK-L601-D2000

138mm\*100.08mm Phytium 腾锐 D2000 Comlac Board

### 特点 Feature

- Phytium D2000 Processor, 8-core, base frequency 2.0GHz up to 2.6GHz , TDP 55W
- Support 2 x DDR4-2666MHz SO-DIMM slot, up to 64GB
- Support 1 x eDP, Can be displayed by extension on the board
- Type6 Interface Signals with MXM3.0 Gold Finger

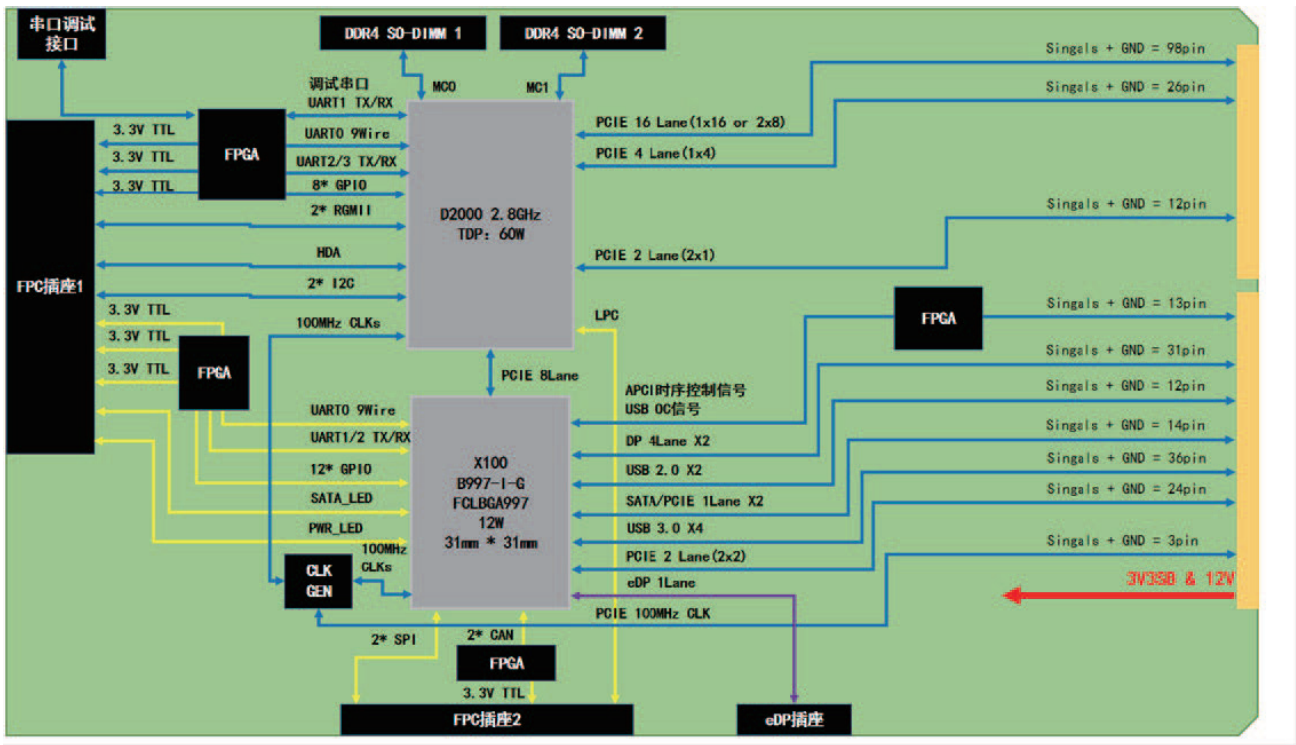


## 规格 Specification

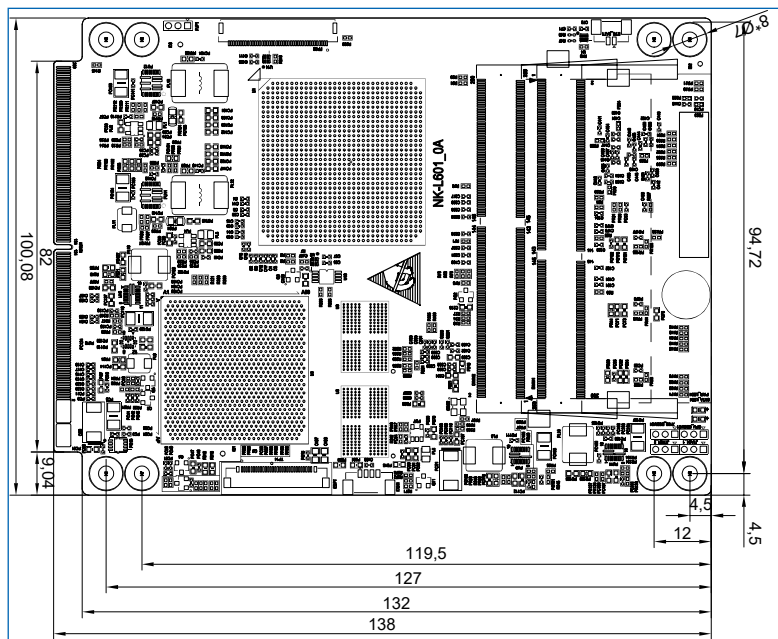
处理器 Processor System	CPU	Phytium D2000 Processor, 8-core, base frequency 2.0GHz up to 2.6GHz , TDP 55W
	芯片组 Chipset	Phytium X100
	BIOS	UEFI
内存 Memory	技术 Technology	Dual-Channel(Non-ECC/ECC)DDR4-2666MHz,up to 64GB
	插槽 Slot	2 x DDR4 260-pin SO-DIMM slot
图形 Graphic	控制器 Controller	Independent video memory with CXMT 4GB LPDDR4
MXM 接口	显示 Display	3 x DDI
	PCIE	1*PCIEx16
		1*PCIEx4
		2*PCIEx2
		2*PCIEx1
	SATA	2 x SATA 3.0 (6Gpbs)
	USB	4 x USB3.0 (5Gb/s) 2 x USB2.0 (480Mbps)
	DP	2 x DP
串口 Serial Port	1 x Uart for debug	
FPC1 Connect	串口 Serial Port	6 x Uart <sup>1</sup>
	CAN	2 x CAN
	GPIO	8 x GPIO
	USB	2 x USB2.0
FPC2 Connect	GPIO	12 x GPIO
	HDA	1 x HDA
操作系统 OS Support	Linux	KylinOS, 统信 UOS
机械参数 Mechanism	尺寸 Dimensions	(L)138mm x(W)100mm
	净重 Gross Weight	0.095kg
环境 Environment	温度 Temperature	Operating: -20°C ~50°C with industrial environment -40°C ~60°C with wide temperature Storage: -25°C ~55°C with Industrial -45°C ~65°C with wide temperature
	湿度 Humidity	5~95% (Non-condensing)
	振动 Vibration	5~500Hz, 3Grms operating

[1]COM1~2 is full line signal. COM3~6 only have TX and RX signal.

### 框架图 Block Diagram



### 机构图 Mechanical Drawing



单位 (Unit): mm

### 订购信息 Order Information

料号 Part No.	型号 Model	描述 Description

### 包装清单 Packing List

料号 Part No.	数量 Qty	描述 Description