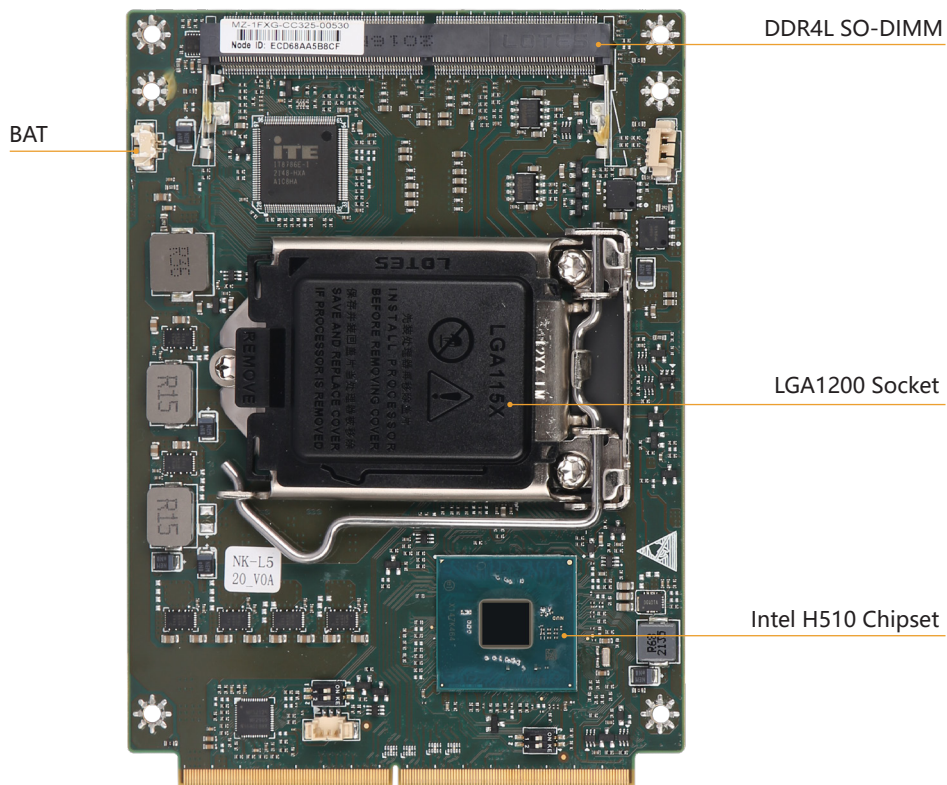


## NK-L520-H510

138\*100.1 Rocket Lake-S H510 Comlac SBC

### 特点 Feature

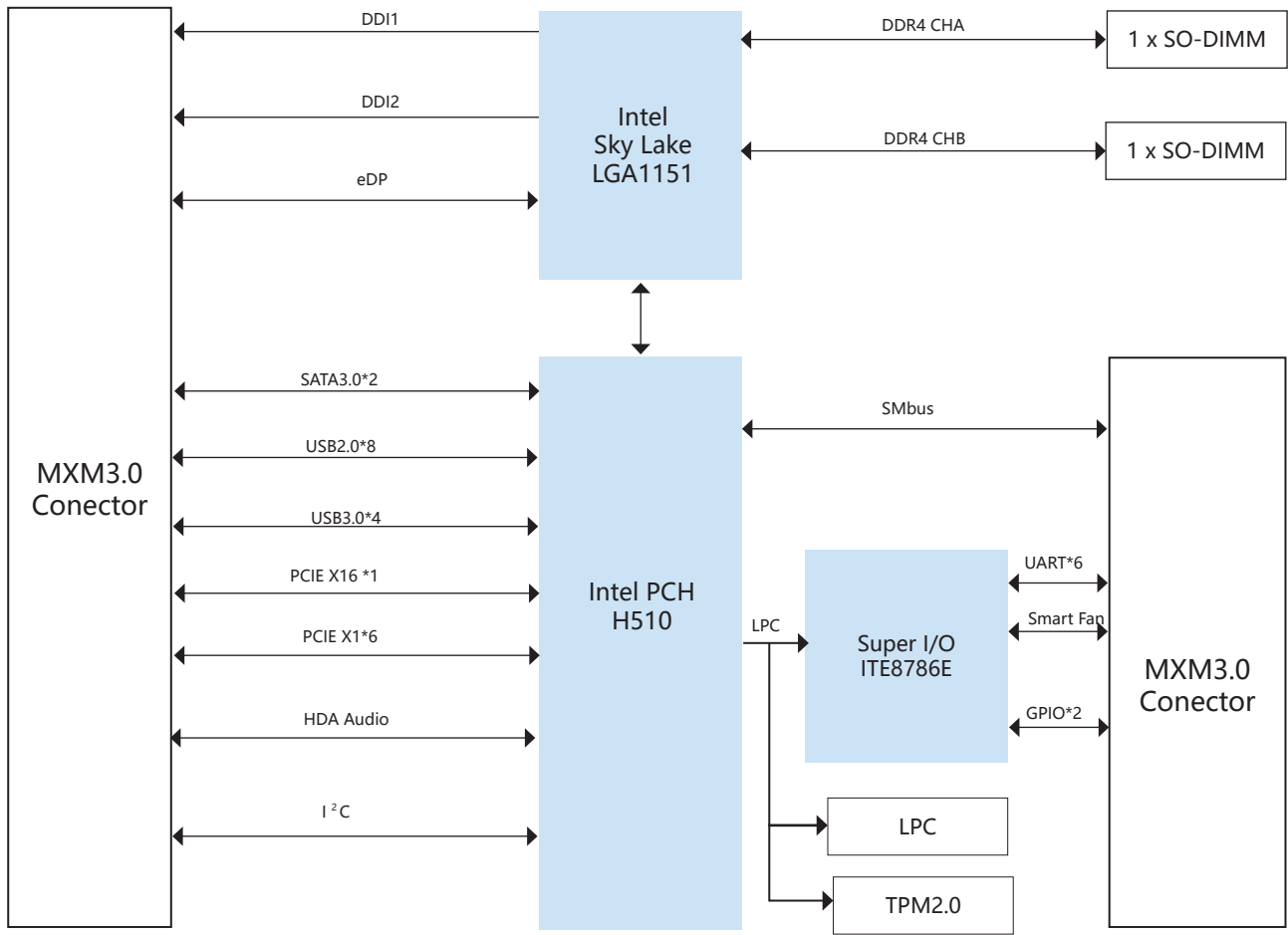
- Intel® 10/11 th Generation Celeron/Pentium/Core-I series LGA1200 processor,TDP up to 65W
- Support dual channel(Non-ECC) DDR4-3200MHz SO-DIMM slot, up to 64GB
- Support 2 x DDI, 1 x eDP,Dual-display
- Type5 Interface Signals with MXM3.0 Gold Finger



## 规格 Specification

处理器 Processor System	CPU	Intel® 10/11th Generation Celeron/Pentium/Core-I series LGA1200 processor,TDP up to 65W
	芯片组 Chipset	Intel® SoC integrated
	BIOS	AMI 256Mb UEFI BIOS
内存 Memory	技术 Technology	Dual Channel(Non-ECC) DDR4-3200MHz, up to 64GB
	插槽 Slot	2 x DDR4 260-pin SO-DIMM slot
图形 Graphic	控制器 Controller	Intel HD graphics integrated
扩展信号 Expansion Signals	显示 Display	2 x DDI, 1 x eDP
	串口 Serial Port	2 x Uart(5line),4 x Uart(3line)
	USB	4 x USB3.0,8 x USB2.0
	SATA	2 x SATA 3.0
	PCIe	6 port 6 lanes(1 X4、2 X1、1xGBE(Only support Intel i219-V controller))
	PCIe x 16	1 x PCIe x 16
	GPIO	1 x 2bit GPIO
	Audio	1 x Intel HDA Audio codec
	Fan	1 x Smart Fan
	其他 others	1 x I <sup>2</sup> C,1 x SMBus,1 x LPC,1 x Buzzer
看门狗定时器 Watchdog Timer	输出 & 间隔 Output&Interval	System reset, programmable from 1~255 seconds
电源 Power	Power input	12V
操作系统 OS Support	MS Windows	Windows 10/11
	Linux	Linux
机械参数 Mechanism	尺寸 Dimensions	(L)138mm x (W)100.1mm
	净重 Gross Weight	0.18kg
环境 Environment	温度 Temperature	Operating: 0°C ~60°C with SSD
		Storage: -40°C ~85°C
	湿度 Humidity	5~95% (Non-condensing)
	振动 Vibration	5~500Hz, 3Grms operating

框架图 Block Diagram



机构图 Mechanical Drawing

单位 (Unit): mm

## 订购信息 Order Information

料号 Part No.	型号 Model	描述 Description
F04.L52001.03.J35	NK-L520-H510	Type5,138*100.1 NK-L520-H510 Comlac SBC, 1x DDR4 SO-DIMM

## 包装清单 Packing List

料号 Part No.	数量 Qty	描述 Description
	1	NK-L520-H510 Comlac User manual